



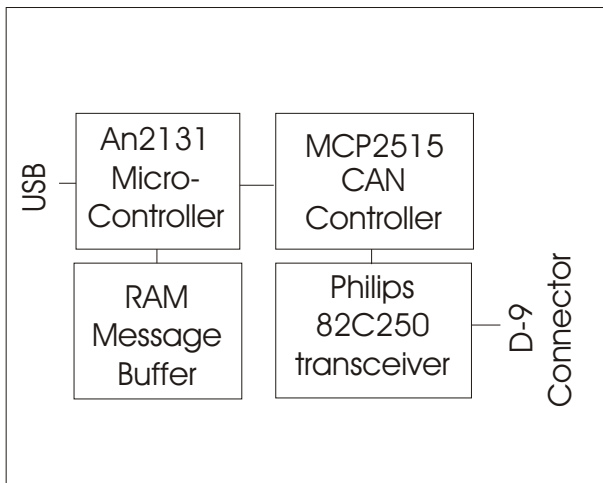
CAN4USB

Zanthic Technologies Inc.

75 Vintage Meadows Pl. S.E.
 Medicine Hat, Alberta
 Canada, T1B 4G8
 Voice (403) 526-8318 Fax (403) 528-9708
 Email: info@zanthic.com Web: www.zanthic.com

Controller Area Network Interface for Universal Serial Bus

This device will provide you with a quick, easy and reliable method of adding a Controller Area Network Interface to your PC or laptop. Software is provided to get your application up and running quickly with driver support for Windows 98/ME and 2000/XP. All PC programs, examples and DLL's include complete source code. Multiple devices (up to 10) can be connected to the same PC with the same program accessing all the devices or multiple programs accessing different devices. Sample programs include a device editor that allows you to point and click various commands and registers within the CAN controller for easy testing.



USB Interface

Data Transfer Mode:	Bulk
Voltage	USB 5V
Nominal Current	55mA 100mA for Opto Isol.

CAN Interface

Operating Voltage	Taken from USB connector
CAN physical layer	ISO11898, 1Mbps max
CAN Controller	MicroChip MCP2515
Electrical Isolation	Common ground or opto Isol.
Connector	9 pin male D-sub (CIA standard)

Performance

- * Microcontroller to CAN Controller SPI speed = 6Mbps
- * Maximum CAN bus speed 1Mbps
- * 40ns (max) propagation delay for opto-isolated version
- * Buffer size ~500 messages

General

Ambient temperature	0->50 degrees C
Weight	100 grams

Drivers and Test Software

Win 98/ME and Windows 2000/XP
 DLL's provided with higher layer functions including SendCANMessage, RecCANMessage, SetBaud etc. Complete description of USB/CAN protocol. Complete source code for all PC programs including DLL's Complete sample programs in Visual Basic for access directly to USB port as well as through higher level commands. New! Test software to display and modify all CAN controller registers as well as send and receive CAN messages while displaying error status etc. (Includes VB source code!)

Ordering Information

CAN-4-USB/MCP2515	CAN to PC USB adapter without opto-isolation.
CAN-4-USB/MCP2515-OPTO	CAN to PC USB adapter With opto-isolation.
Note: Opto-isolation does not require an external power supply and is completely powered from USB bus	

Humidity	0->90%, non-condensing
Dimensions	92mm x 43mm x 24mm