



Zanthic Technologies Inc.

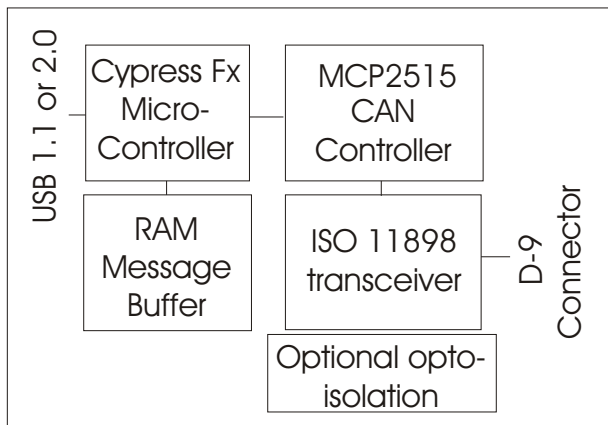
CAN4USBFX

75 Vintage Meadows Pl. S.E.
Medicine Hat, Alberta
Canada, T1B 4G8

Voice (403) 526-8318 Fax (403) 528-9708
Web: www.zanthic.com

Controller Area Network Interface for Universal Serial Bus 2.0

This device will provide you with a quick, easy and reliable method of adding a Controller Area Network Interface to your PC or laptop. Software is provided to get your application up and running quickly with driver support for Windows 2000 and XP. All PC programs, examples and DLL's include complete source code. Multiple devices (up to 10) can be connected to the same PC with the same program accessing all the devices or multiple programs accessing different devices. Sample programs include a test program that allows you to point and click various commands (sending and receiving) and registers within the CAN controller for easy testing and to log all incoming messages (full source provided). Incoming CAN messages can be time stamped with an 8us resolution timer up to 99 seconds.



USB Interface		Drivers and Test Software	
Data Transfer Mode:	Bulk@High speed (480Mbps)	*Windows 2000 and XP	
Voltage	USB 5V	*DLL's provided with higher layer functions including SendCANMessage, RecCANMessage, SetBaud etc.	
Nominal Current	55mA 100mA for Opto Isol.	*Complete description of USB/CAN protocol.	
CAN Interface		*Complete source code for all PC programs including DLL's	
Operating Voltage	Taken from USB connector	*Data logging example programs with source code in C and VB6.	
CAN physical layer	ISO11898, 1Mbps max	*Test software to display and modify all CAN controller registers as well as to send and receive CAN messages while displaying error status etc. (Includes VB source code!)	
CAN Controller	MicroChip MCP2515		
Electrical Isolation	Common ground or opto Isol.		
Connector	9 pin male D-sub (CIA standard)		
Performance		Ordering Information	
* Microcontroller to CAN Controller SPI speed = 6Mbps		CAN-4-USB-FX/MCP2515 CAN to PC USB adapter without opto-isolation.	
* Maximum CAN bus speed 1Mbps (sustained)			
* 40ns (max) propagation delay for opto-isolated version		CAN-4-USB-FX/MCP2515-OPTO CAN to PC USB adapter with opto-isolation.	
* Buffer size = 1500 messages			
* Bi-color LED for diagnostic messages			
General		Note: Opto-isolation does not require an external power supply and is completely powered from USB bus	
Ambient temperature	0->70 degrees C	Humidity	0->90%, non-condensing
Weight	100 grams	Dimensions	92mm x 43mm x 24mm
		RoHS Compliance: Check web site for details	